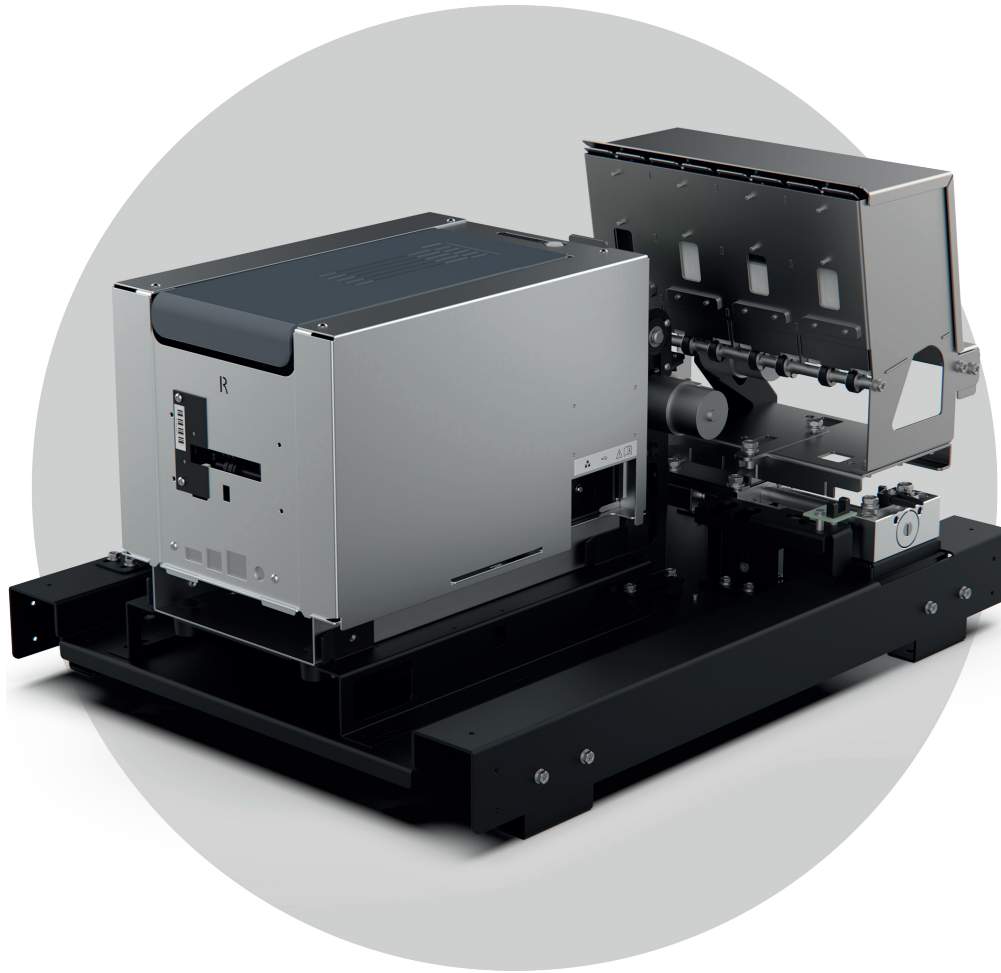


evolIS

Identify what matters

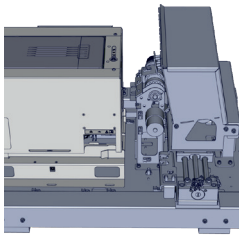


KC MAX

# USER GUIDE

Evolis © 2022. All rights reserved.

User-guide\_KSKC4\_ENG\_20220419\_B0

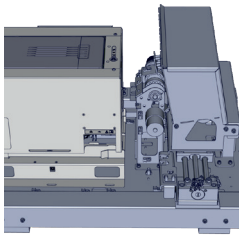


KC MAX

# TABLE OF CONTENTS

---

Copyright	3
Trademarks	3
Warranty	3
Environmental Information	3
Recycling End-of-life Products	3
About Your New Printer	4
Icons in the document	5
<b>1. GETTING STARTED</b>	<b>6</b>
Description of the Printer Functions	6
Description of the Printer Functions	8
Connecting the printer	9
Ribbons	10
Cards	11
<b>2. SERVICING</b>	<b>15</b>
General Warranty Information	15
Printer Cleaning	16
Printer servicing	16
Servicing the Print Head	20
Maintenance of the dust filter	21
<b>1. APPENDIX A</b>	<b>22</b>
Declarations of Conformity KC MAX	22



KC MAX

## COPYRIGHT

---

Evolis © 2022. All rights reserved.

Users must observe the copyright regulations applicable in their country. This manual must not be photocopied, translated, reproduced, or transmitted, in whole or in part, for any reason and by any electronic or mechanical means whatsoever without the express written consent of Evolis.

All the information contained in this document is subject to change without prior notice.

Evolis cannot be held liable for any errors that may be found in this manual, or for any loss or damage arising accidentally or as a result of dissemination or use of this manual.

## TRADEMARKS

---

Evolis Premium Suite® and Evolis High Trust® are trademarks of Evolis. All other trademarks belong to their respective holders.

## WARRANTY

---

Please refer to the warranty notice for the terms and conditions and limitations. It is available on [myplace.evolis.com](https://myplace.evolis.com).

Register online at [myplace.evolis.com](https://myplace.evolis.com) to receive our special offers and general information.

## ENVIRONMENTAL INFORMATION

---

Evolis is committed to helping the environment by reducing the energy consumption of its products.

## RECYCLING END-OF-LIFE PRODUCTS

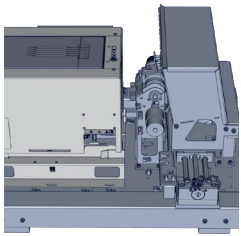
---

Manufacturing the equipment that you have purchased required the extraction and use of natural resources. This equipment may contain materials that are hazardous to health and the environment.

To prevent the dispersal of such materials into our environment and to reduce pressure on our natural resources, we recommend that you use existing collection facilities. These systems will re-use or recycle most of the materials in your end-of-life equipment in an appropriate way.

For further information on collection, re-use, or recycling systems, contact your local or regional waste management organization.

Do not hesitate to contact us to find out more by visiting our website at [myplace.evolis.com](https://myplace.evolis.com) or by emailing the following address: [info@evolis.com](mailto:info@evolis.com).



## KC MAX

# ABOUT YOUR NEW PRINTER

---

Using your new Evolis printer, you can create a wide variety of high-quality cards and personalized badges that can be printed and laminated in various thicknesses, colors, and styles. This printer uses consumables and accessories available from Evolis.

### **Certifications and declarations of conformity:**

CE, UKCA, ICES, VCCI, BIS, CCC, KC, EAC, RoHS

FCC (Evolis contact: Evolis, Rising Sun Mills, 188 Valley St., Suite 421, RI 02909 Providence, [evolishnortham@evolish.com](mailto:evolishnortham@evolish.com))

### **Icons on the printer**



Evaluation for apparatus only based on altitude not exceeding 2000m, therefore it's the only operating condition applied for the equipment. There may be some potential safety hazard if the equipment is used at altitude above 2000m.



As evaluation for apparatus is only based on temperate climate condition, it's the only operating condition applied for the equipment. There may be some potential safety hazard if the equipment is used in tropical climate region.



Reminder to use existing collection facilities.

### **Dimensions**

- Printer (HxWxD): 314 x 417x 540,5 mm
- Feet height: 18 mm

### **Weight**

- 21 kg

### **Connectivity**

- USB (1.0, 1.1, 2.0, 3.0), Ethernet, Serial (option), Wi-Fi

### **Environmental conditions**

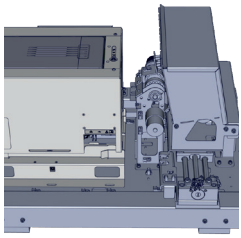
- Standard operating temperature: 15°C / 30 °C (59° / 86 °F)
- Humidity: 20% to 65% non-condensing
- Min / Max operating temperature and humidity rate: 0° / 40° C (32° / 104° F) and 20% to 65% non-condensing
- Min/max storage temperature: -5°C / +70 °C (23° / 158 °F)
- Storage humidity:
- Operating ventilation: free air

### **Electrical information**

- Power supply unit: 100-240 Volts AC, 50-60 Hz, 1.7A
- Printer: 24 Volts DC, 2.71 A

To view all technical specifications, refer to [myplace.evolish.com](http://myplace.evolish.com).





KC MAX

## ICONS IN THE DOCUMENT

---

The following icons are used in this manual to highlight information:



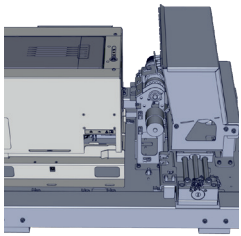
Further details about certain points in the main text.



Failing to take the recommended action is likely to damage your printer.



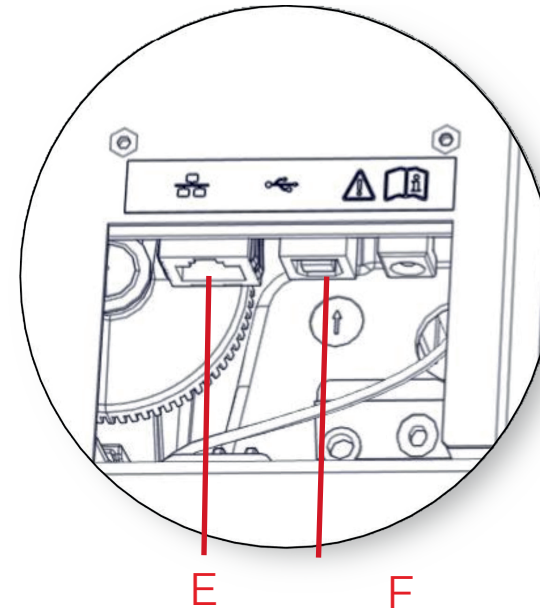
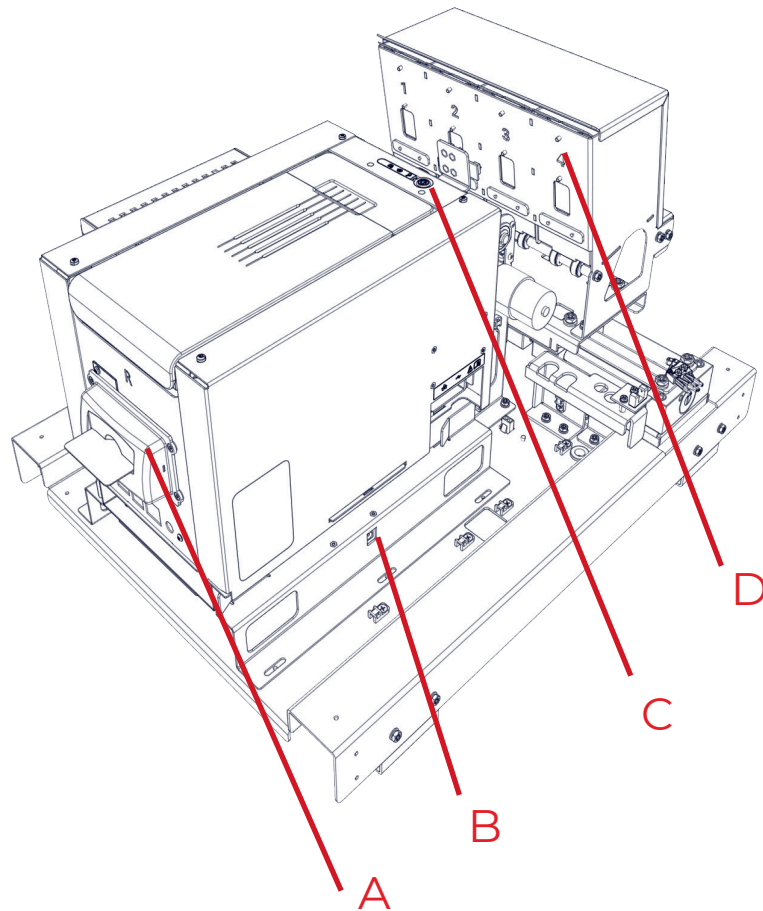
A video showing the procedure is available on [myplace.evolis.com](https://myplace.evolis.com).



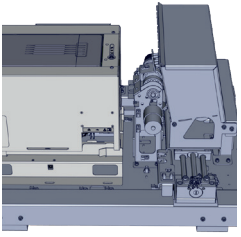
KC MAX

# 1. GETTING STARTED

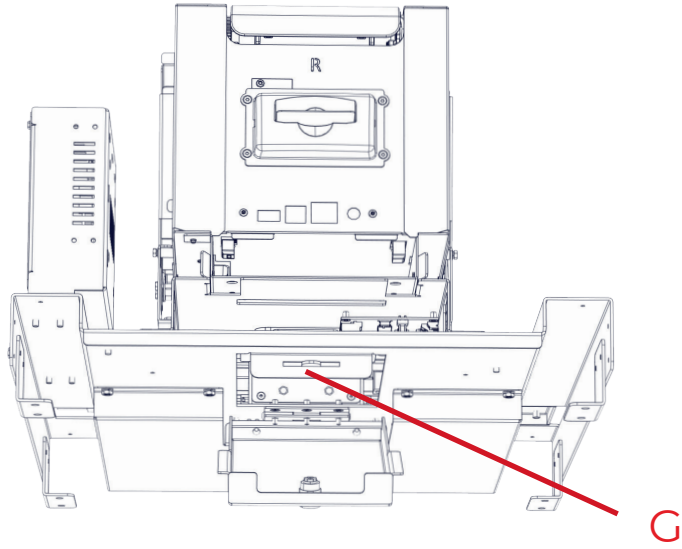
## DESCRIPTION OF THE PRINTER FUNCTIONS



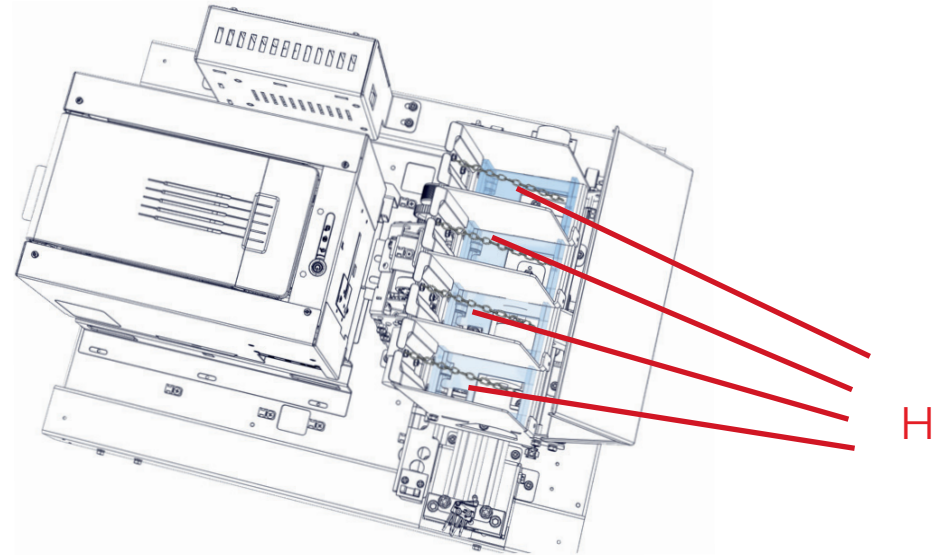
- A Bezel for card exit
- B Power cable socket
- C Control Panel
- D Feeders (100 cards each)
- E Ethernet port
- F USB port

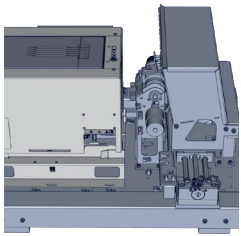


KC MAX



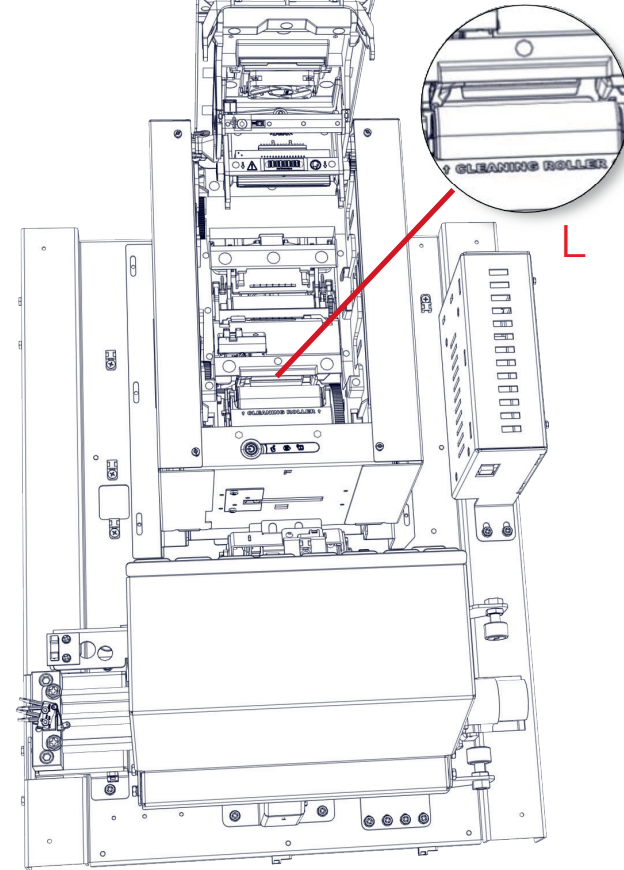
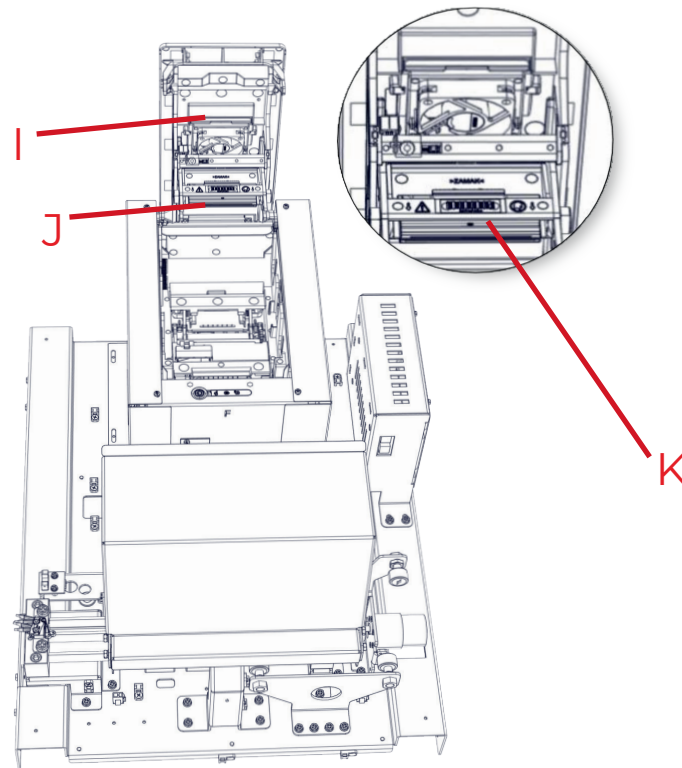
- G Ejection Slot
- H Feeder Weights



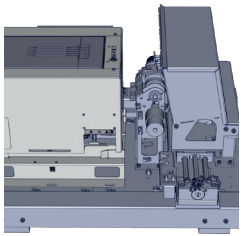


KC MAX

# DESCRIPTION OF THE PRINTER FUNCTIONS



- I Dust Filter
- J Thermal print head
- K Serial number label
- L Cleaning Roller



KC MAX



## Connecting the printer

The printer must be connected to a properly protected and grounded electrical system.

FI: Laite on liitettävä suojamaadoitus koskettimilla varustettuun pistorasiaan.

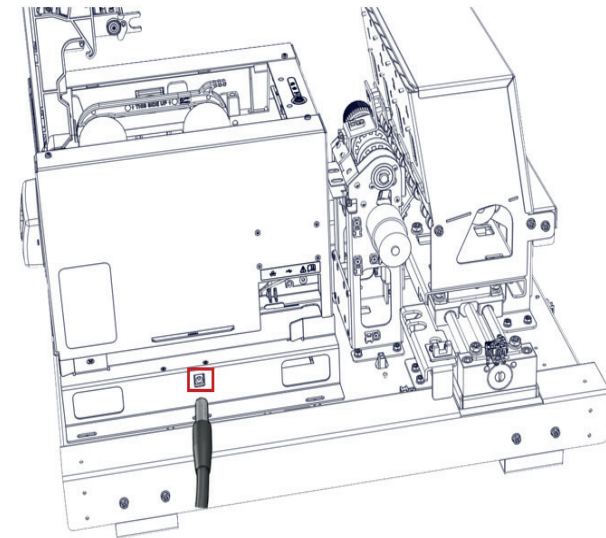
NO: Apparatet må tilkoples jordet stikkontakt.

SE: Apparaten skall anslutas till jordat uttag.

DK: Printerens skal tilsluttes til en korrekt beskyttet og jordforbundet el-installtion.

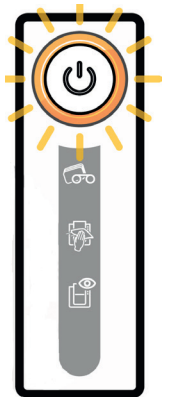
### To do so:

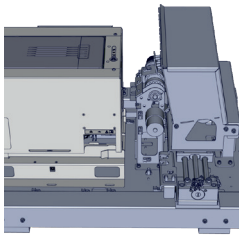
- Connect the power cable to the power supply unit, then plug the power cable jack into the printer.



- Next, connect the power cable plug to a grounded power socket outside of the terminal.
- The printer is powered on: the control panel lights up indicating that the printer is working properly.

If the control panel does not light up, then either the installation has not been carried out correctly or the printer is not working properly. Please check the installation.





KC MAX

## Ribbons

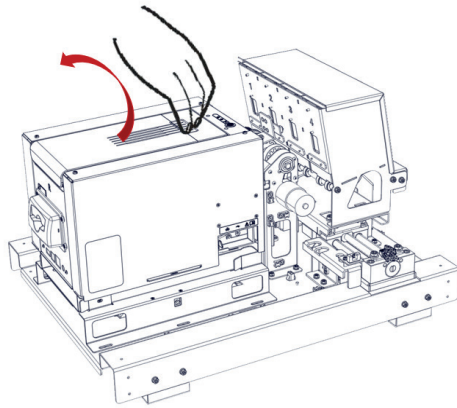
Evolis original High Trust® ribbons optimize the operation of your printer and avoid causing damage to it. The use of third-party ribbons may damage your printer and will void the manufacturer's warranty for the printer.

For optimum print quality, Evolis recommends that the printer is fully cleaned every time the ribbon is changed. See the Servicing chapter of this manual.

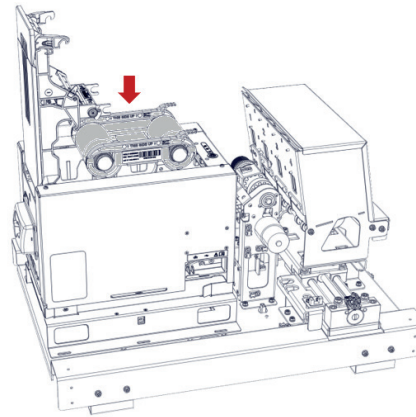
### Fitting the ribbon



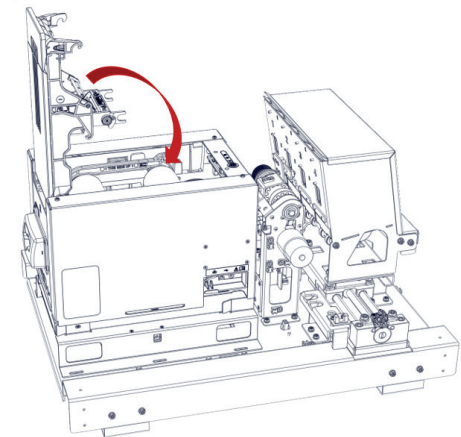
The printer automatically recognizes the ribbon inserted.



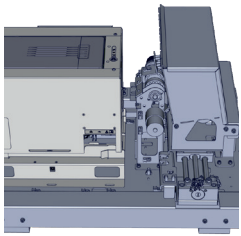
Open the cover.



Insert the ribbon as shown.



Close the cover and press until you hear a click.



## KC MAX

### Cards



For optimum quality, the cards used must be ISO 7810 certified.

Use only the card types recommended by Evolis.

Avoid touching the printable surface of the cards in order to preserve print quality.

Do not use cards that have been damaged, folded, embossed, or dropped on the floor.

Cards may be stuck together due to static electricity – avoid touching the card surface when separating them.

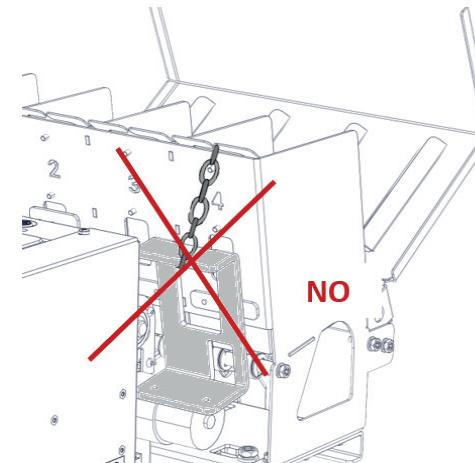
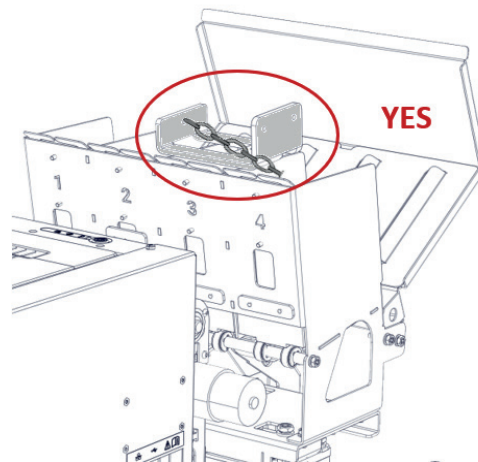
### Storing new cards

Keep your cards protected from dust in their original packaging.



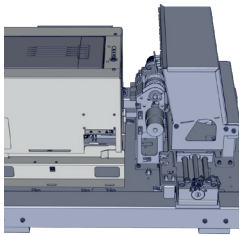
### Inserting the cards

- 1 Open the feeders cover.
- 2 Place the weight of one feeder above the other feeders (as indicated in the picture).



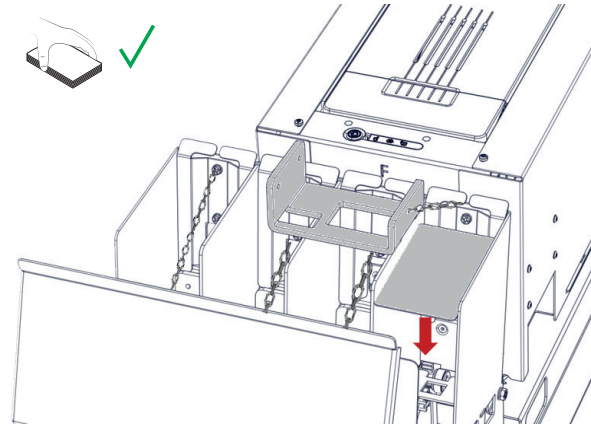
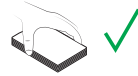
The printer accepts 0,76 cards thickness.





KC MAX

3 Insert the cards in the feeder. Hold the cards as shown on the diagram.

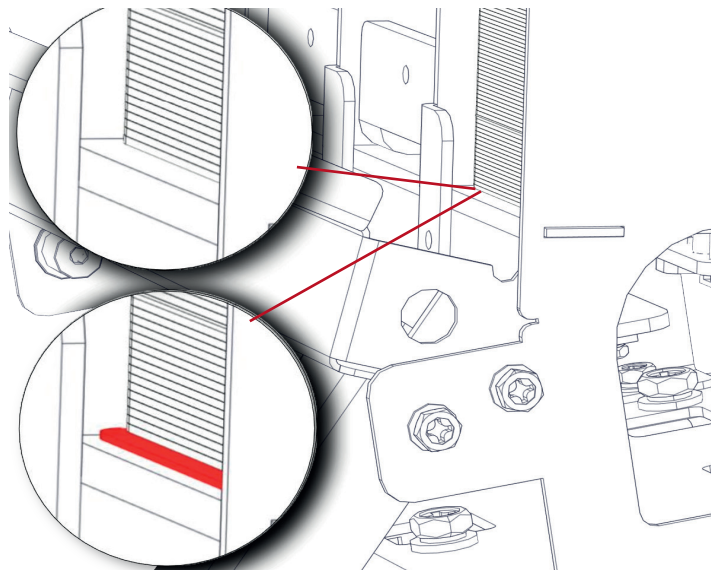


Make sure that all cards on the bottom of the stack are aligned with the other cards.  
When cards are inserted too far or not far enough in the feeder, issues with their loading may arise (card jamming or no loading).

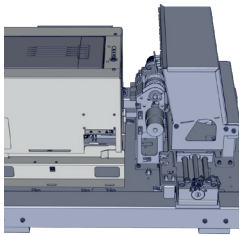


Cards are inserted and aligned in an adequate way

Cards are not inserted far enough in the feeder

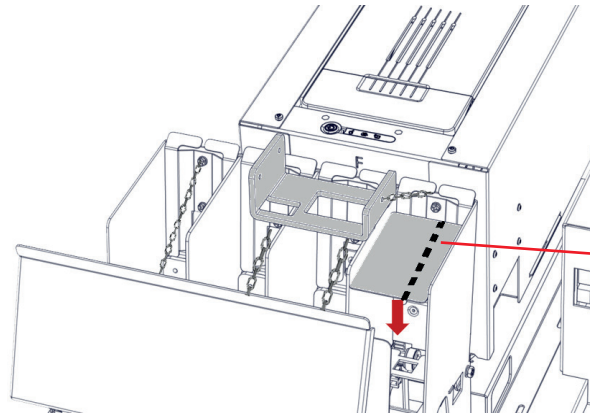




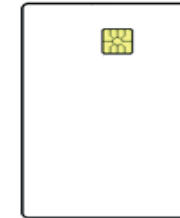
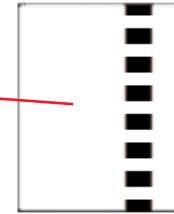


KC MAX

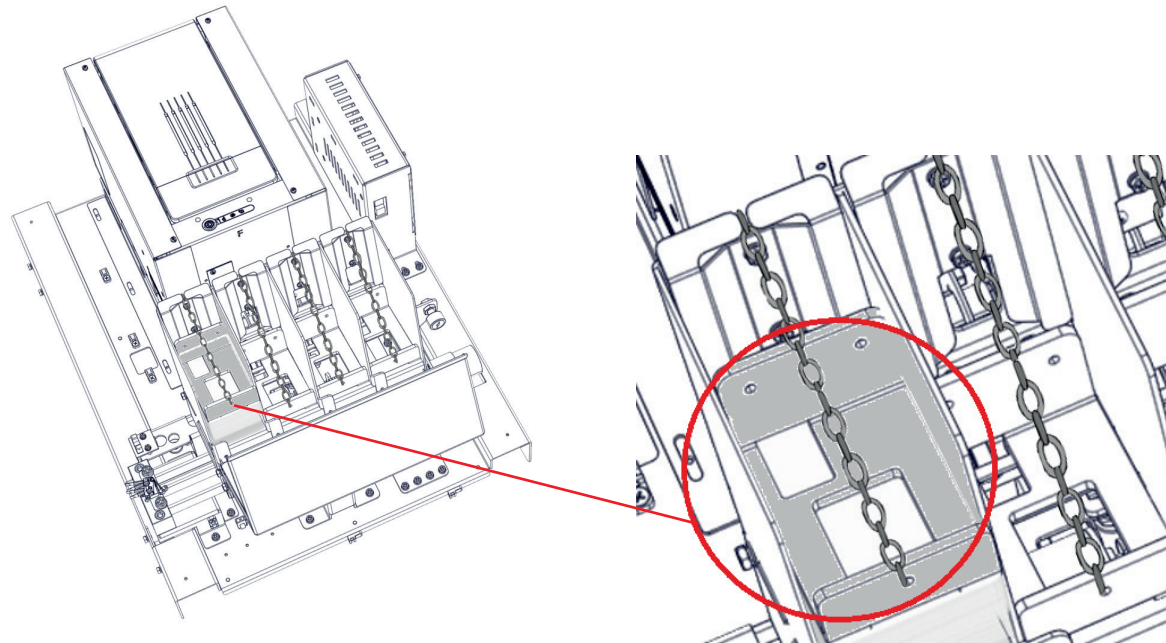
Magnetic/contact/contactless cards are inserted with the stripe or chip on the right side of the feeder.



Magnetic stripe must be under the card.  
Contact chip must be on the top of the card.

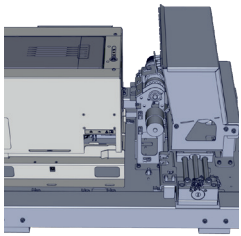


4 Place the weight back on the cards as indicated.



Pay attention to the position of the weight chain.

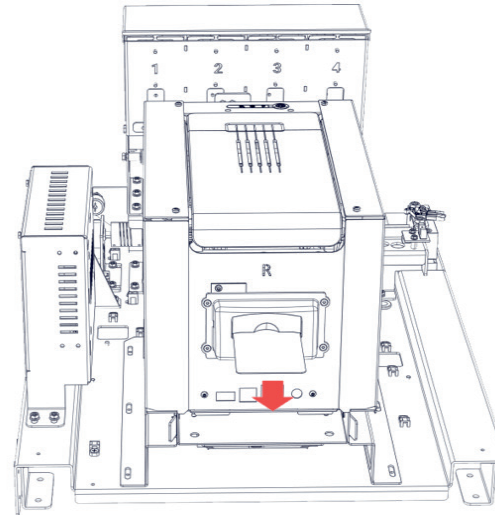
5 Repeat the same procedure for each feeder.



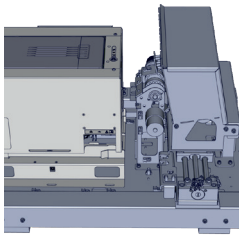
KC MAX

## Removing printed cards

Once the print cycle is complete, the printed and/or encoded card is issued through the bezel.



It is possible to change the setting for the card exit/ejection of defective cards. Please contact your Evolis contact for more details.



KC MAX

## 2.SERVICING

### GENERAL WARRANTY INFORMATION

---

Comply with the instructions given below to ensure that your printer runs satisfactorily.

Keep your warranty cover!



The manufacturer's warranty is subject to strict adherence to the routine servicing and maintenance instructions, and in particular the printer cleaning cycles.

**Any failure to follow the servicing procedures described in this chapter will void the print head warranty.**

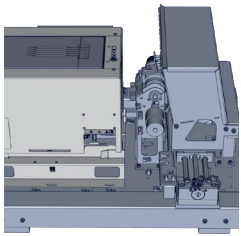
Evolis declines any liability where there has been a failure to carry out required maintenance on the printer.

The print head is a wear part and an extremely sensitive component of the printer. Its useful life can be seriously curtailed by the presence of dust, liquids or solids in the printer's immediate environment, on the print head or on the cards. The user must take all necessary precautions to insert into the printer only clean, dust-free cards that are free of foreign bodies.

The frequency and quality of cleaning are decisive factors enabling users to extend the print head's useful life and to ensure excellent print quality. Particular care must therefore be taken with cleaning. The user must comply with the servicing and maintenance instructions given in this section.

In addition, the use of Evolis brand ribbons (Evolis High Trust®) also ensures that your equipment operates properly. The use of non-Evolis approved ribbons can therefore affect the quality and reliability of printing jobs, lead to poor quality printing, and even affect the operation of the printer. The manufacturer's warranty does not cover physical damage or quality problems caused by using non-Evolis approved ribbons.

Evolis supplies servicing items and consumables. You can find them on the website [myplace.evolis.com](https://myplace.evolis.com).



KC MAX

## PRINTER CLEANING

### Printer servicing



The print head warranty is directly linked to routine cleaning of your printer.  
If you do not carry out this cleaning at the required times, the print head warranty will cease to be valid.



Recommended cleaning cycle: whenever the ribbon is changed.  
Mandatory cleaning cycle: when the cleaning warning is triggered.

**Servicing accessory: pre-soaked T-shaped card and adhesive cleaning card.**

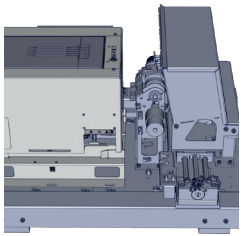


Your printer is fitted with a cleaning warning system, which is triggered after a certain number of cards have been inserted.  
You should proceed with the advanced cleaning of your printer as soon as the warning is triggered.  
If you continue to run the printer despite the warning and if the warning light remains lit, the print head warranty will be automatically voided because of failure to comply with contractual maintenance obligations.

In clean environments:

<b>Printer cleaning required after: (warning light flashing)</b>	<b>Number of cards remaining before warranty voided: (warning light flashing)</b>	<b>Warranty invalid after: (warning light steady)</b>
1000 cards	200 cards	1200 cards

In dusty environments, we strongly recommend to perform the cleaning after 500 cards.



KC MAX

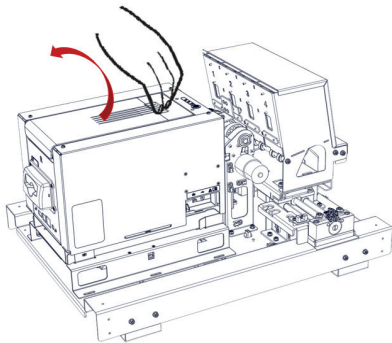
Evolis provides an Evolis High Trust® maintenance kit consisting of 2 adhesive cards, 2 pre-soaked "T" shaped cards, a cleaning pen, and a box of wipes. The "T" shaped cleaning card is used to clean the transport rollers and the magnetic encoder head. Please go through the following steps to validate cleaning.



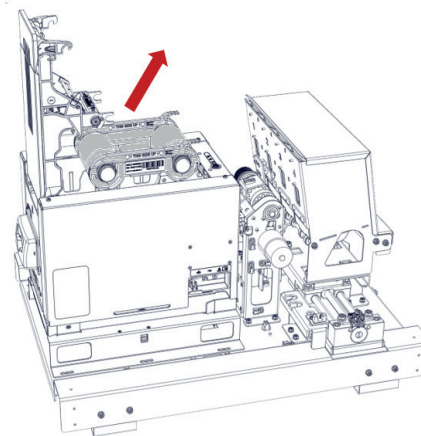
**Servicing accessory: pre-soaked "T" shaped card and adhesive card.**

**Follow the procedure below:**

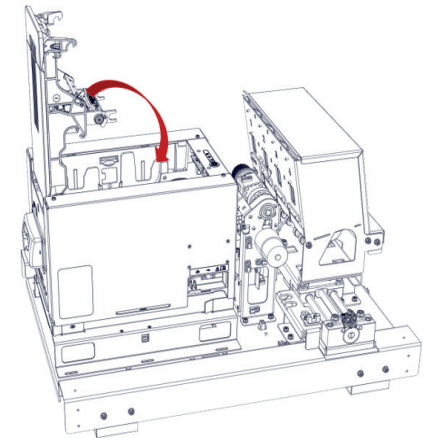
- 1 Open the printer cover.
- 2 Remove the ribbon.
- 3 Close the cover and check it has clicked shut.



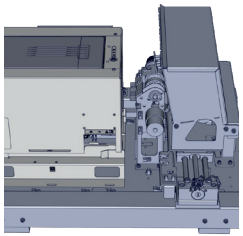
1



2



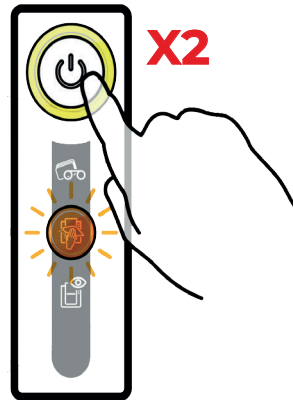
3



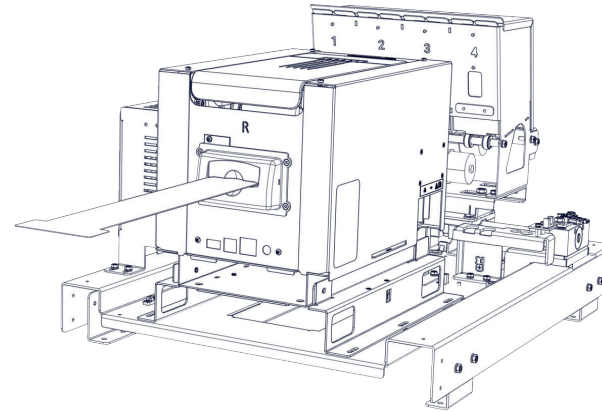
KC MAX

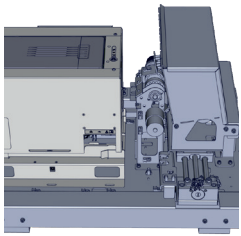
- 4 Double-click the control button before inserting the cleaning card.
- 5 Take the "T" shaped cleaning card and insert it in the bezel. Do not insert the card too deeply: the printer quickly detects it and cleaning starts.
- 6 Once cleaning is finished, remove the "T" shaped card.

4



5

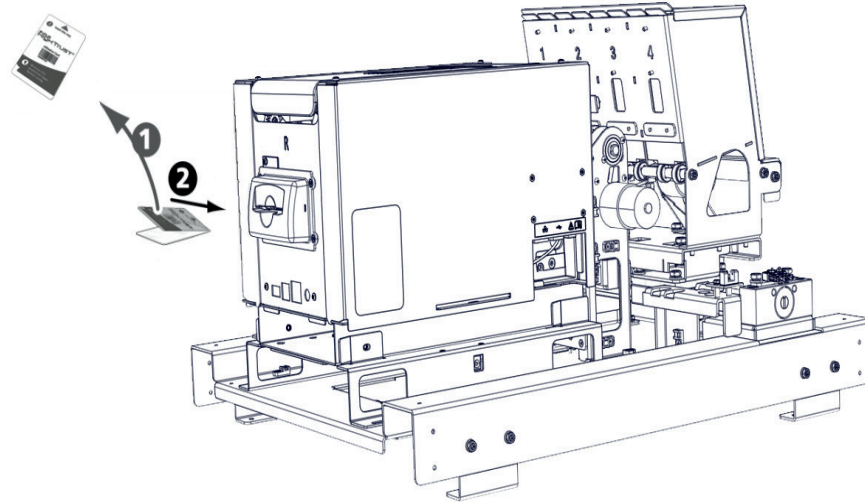




## KC MAX

- 7 Remove the film from the adhesive card ① and insert the cleaning card adhesive side up ②, in the bezel. Cleaning starts.
- 8 Once cleaning is finished, remove the adhesive cleaning card.

7



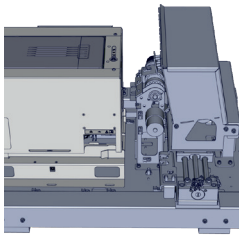
Note the "T" shaped card must be used immediately after the bag is opened.



Wait for 2 minutes after cleaning before using your printer.

If the terminal is in a dusty environment, we recommend that you place a protective cover on the printer to limit exposure to dust, whether the printer is in operational mode or not. For more thorough cleaning, you can also carry out manual cleaning.

The cleaning frequencies recommended by Evolis may be increased depending on the environment in which the terminal is located.



KC MAX

## Servicing the Print Head



Recommended cleaning cycle: whenever the ribbon is changed.

**Servicing accessory: special cotton swab impregnated with isopropyl alcohol or cleaning pen.**

To maintain the original print quality and to absorb excess ink on the print head, we recommend that you clean the print head regularly (at each ribbon change and periodic cleaning) using the cotton swabs provided by Evolis. You must also protect the print head and its components from any electrostatic discharge.



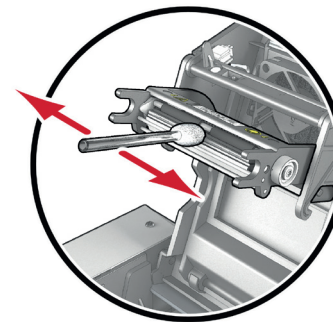
Follow the cleaning cycles scrupulously.

Avoid any contact between the print head and any metal or sharp objects.

Avoid touching the print head directly with your fingers, as this could affect print quality or permanently damage the print head.

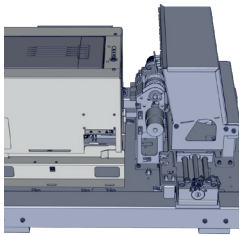
### Follow the procedure below:

- 1 Take an Evolis cotton swab and press the middle of the tube until the end of the swab is soaked in alcohol.
- 2 Open the cover and locate the print head.
- 3 Gently rub the swab from left to right along the print head for a few seconds.
- 4 Close the cover.



Wait for 2 minutes after cleaning before using your printer.



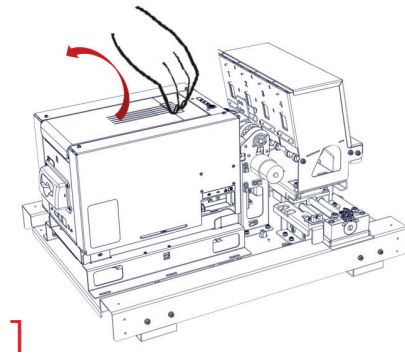


KC MAX

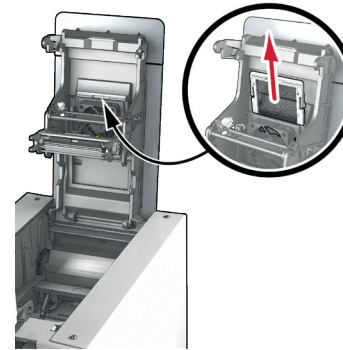
## Maintenance of the dust filter

The dust filter is located above the ventilator for the print head. This filter can get dirty over time. We recommend cleaning it once a year or after 10,000 cards, depending on your work environment.

- 1 Open the printer cover. Locate the dust filter.
- 2 Remove the filter by pulling it up and sliding to release it completely.
- 3 Once the filter has been removed from its place, take one of the cleaning wipes supplied by Evolis.
- 4 Clean the filter by wiping each side of it.
- 5 To put it back, insert it in place (groove facing you) and push it down until it clicks into position.
- 6 Close the cover.



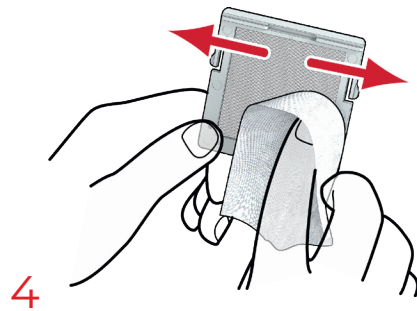
1



2



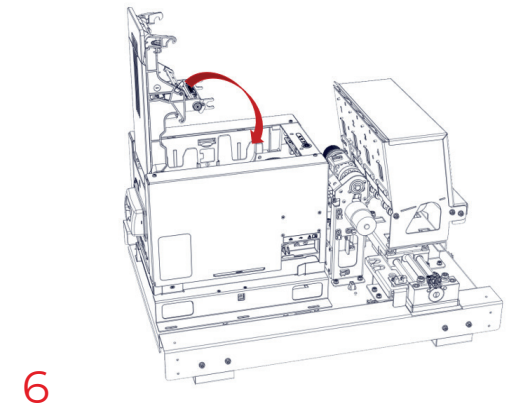
3



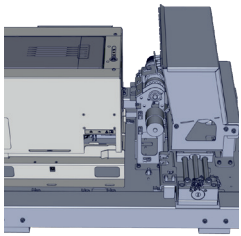
4



5



6



KC MAX

# 3.APPENDIX A

## DECLARATIONS OF CONFORMITY KC MAX

In this section, you will find the certifications for your Evolis printer.

### Declarations of Conformity

Concerning the Safety and Electromagnetic Compatibility of Radio Equipment (Directives **RED 2014/53/EU, LVD 2014/35/EU, EMC 2014/30/EU, and (RoHS3) 2015/863/EU**)

Manufacturer name: Evolis  
Manufacturer address: 14, avenue de la Fontaine  
Z.I. Angers Beaucouzé  
49070 Beaucouzé, France

Equipment name: KC Max  
Year of manufacture: 2021

I, the undersigned,  
Mr. **Laurent Godard**

Declare under my own responsibility that the product described above is in conformity with the essential applicable requirements of the following directives: **RED 2014/53/EU, LVD 2014/35/EU, EMC 2014/30/EU, and (RoHS3) 2015/863/EU:**

Article 3.1 a: (electromagnetic compatibility protection requirement)

**Safety standard applied** **EN62368-1: 2014**  
**EN50364: 2010**

Article 3.1 b: (electromagnetic compatibility protection requirements)

**EMC standard applied** **EN55032: 2012**  
**EN55024: 2010**  
**EN61000-3-2: 2014**  
**EN61000-3-3: 2013**  
**EN 301489-3: 2013 (V1.6.1)**



Article 3.2: (proper use of the radio spectrum to avoid harmful interference)

EMC standard applied **EN300 330-2 V1.6.1**

Full name: Laurent Godard

Title: R&D Director

Date: 2021

Signature:

**EUROPE** - Norway only: This product is designed for an IT power system with phase-to-phase voltage of 230 V. Earth grounding is via the polarized, 3-wire power cord.

FI: "Laitte on liitettävä suojavaadoitus koskettimilla varustettuun pistorasiaan"

SE: "Apparaten skall anslutas till jordat uttag"

NO: "Apparatet må tilkoples jordet stikkontakt"

DK: "Apparatets stikprop skal tilsluttes en stikkontakt med jord, som giver forbindelse til stikproppens jord".

### FCC Federal Communications Commission notice

#### Radio frequency interference in the United States

**FC** KC Max model complies with the following specification:  
FCC Part 15, Subpart A, Section 15.107(a) and Section 15.109(a) Class B Digital device

#### Additional information:

This equipment has been tested and found to comply with the limits for a Class B digital device, pursuant to part 15 of the FCC Rules. These limits are designed to provide reasonable protection against harmful interference in a residential installation. This equipment generates, uses and can radiate radio frequency energy and, if not installed and used in accordance with the instructions, may cause harmful interference to radio communications. However, there is no guarantee that interference will not occur in a particular installation. If this equipment does cause harmful interference to radio or television reception, which can be determined by turning the equipment off and on, the user is encouraged to try the following measures:

- Reorient or relocate the receiving antenna.
- Move the equipment away from the radio or television.
- Connect the equipment to a circuit other than that to which the receiver is connected.
- Consult the supplier or an experienced radio/TV technician.

Use of a shielded twisted pair cable is necessary to comply with the restrictions laid down by part 15 of the FCC Rules for Class B digital devices.

Pursuant to Part 15.21 of the FCC Rules, any changes or modifications made to this equipment without the express, written consent of the company Evolis may cause harmful interference and void the FCC authorization to operate this equipment.

We recommend keeping a distance of 20 cm between the user and the RFID module when it is in operation.

This device is compliant with the RSS of Industry Canada applicable to radio devices exempt from licensing. Its use is authorized under the following two conditions: (1) The device must not cause jamming and (2) the device user must accept any radio-electrical jamming it experiences, even if this compromises its operation.

### Japanese radio frequency interference (VCCI)

This equipment is Class B information technology equipment based on the rules laid down by the Voluntary Control Council For Interference by Information Technology Equipment (VCCI). Its use in or close to a residential area may cause radio interference. If this occurs, you must take appropriate



この装置は、情報処理装置等電波障害自主規制協議会（VCCI）の基準に基づくクラスB情報技術装置です。この装置は、家庭環境で使用することを目的としていますが、この装置がラジオやテレビジョン受信機に近接して使用されると、受信障害を引き起こすことがあります。  
取扱説明書に従って正しい取り扱いをして下さい。



이 기기는 업무용(A급) 전자파적합기기로서 판매자 또는 사용자는 이 점을 주의하시기 바라며, 가정외의 지역에서 사용하는 것을 목적으로 합니다.